



sarens.tele

HOOFDZETEL/SIEGE

Autoweg 10
B-1861 Wolveterm, BELGIUM
Tel.: +32 (0)52.319.319
Fax.: +32 (0)52.319.329
e-mail: info@sarens.com
Internet: www.sarens.com

LAROY

Jacobsveldweg 8
B-2160 Wommelgem, BELGIUM
Tel.: +32 (0)3.3 551.551
Fax.: +32 (0)3.3 551.561
e-mail: info@laroy.be

GENT

Postbus 1
B-9060 Zelzate, BELGIUM
Tel.: +32 (0)9.342.66.66
Fax.: +32 (0)9.342.66.61

ANTWERPEN

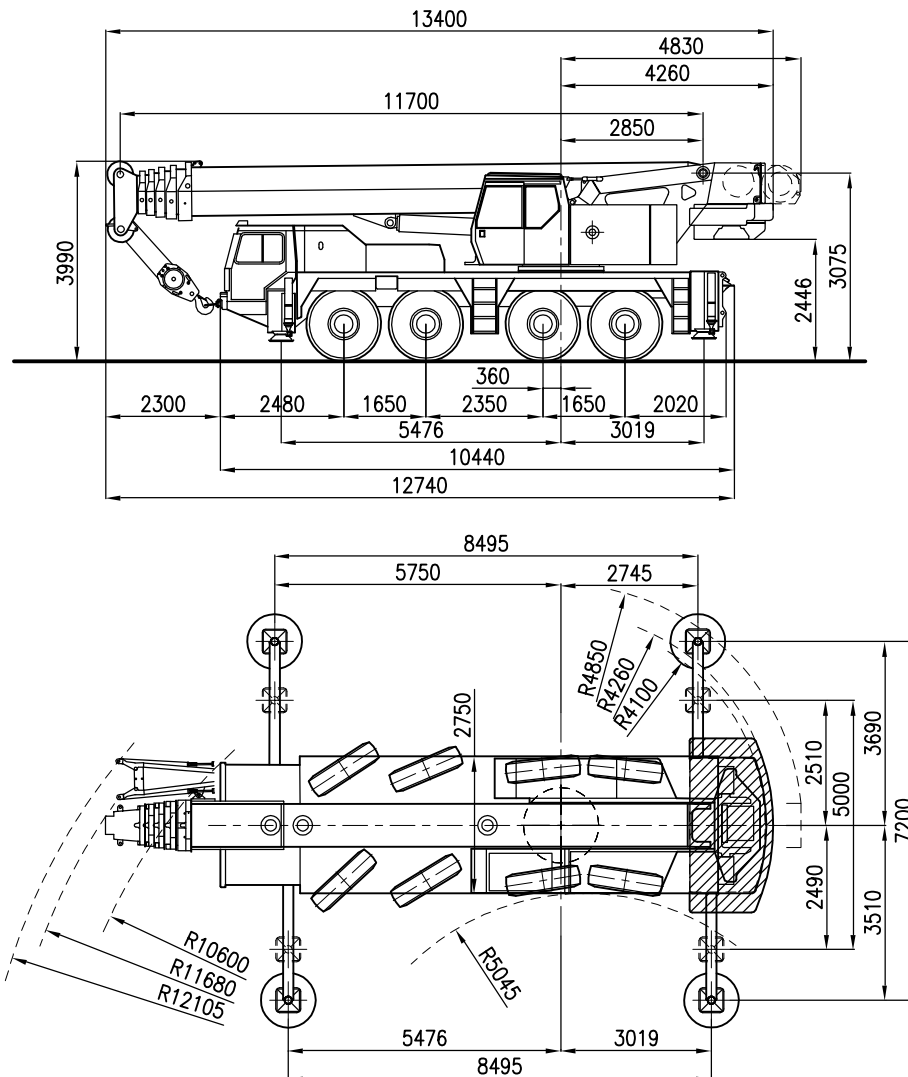
Scheldelaan 600, Haven 725
Locatie C110
B-2040 Antwerpen, BELGIUM
Tel.: +32 (0)3.5 613.440
Fax.: +32 (0)3.5 613.434

SARENS TRAMAUBEN

Grand'Route 51
B-7640 Maubray, BELGIUM
Tel.: +32 (0)69.446.700
Fax.: +32 (0)69.446.710
e-mail: info@tramauben.be

LIEBHERR LTM 1090/2

90 TON



1/150

Axle load / Charge par essieu / Achslast / Aslast	: 4 x 12 t	(= 12 t)
Total weight / Poids total / Gesamtgewicht / Totaal gewicht	: 48 t	(= 12 t)
Tyres / Pneus / Bereifung / Banden	: 14.00 R 25	



LIEBHERR LTM 1090/2

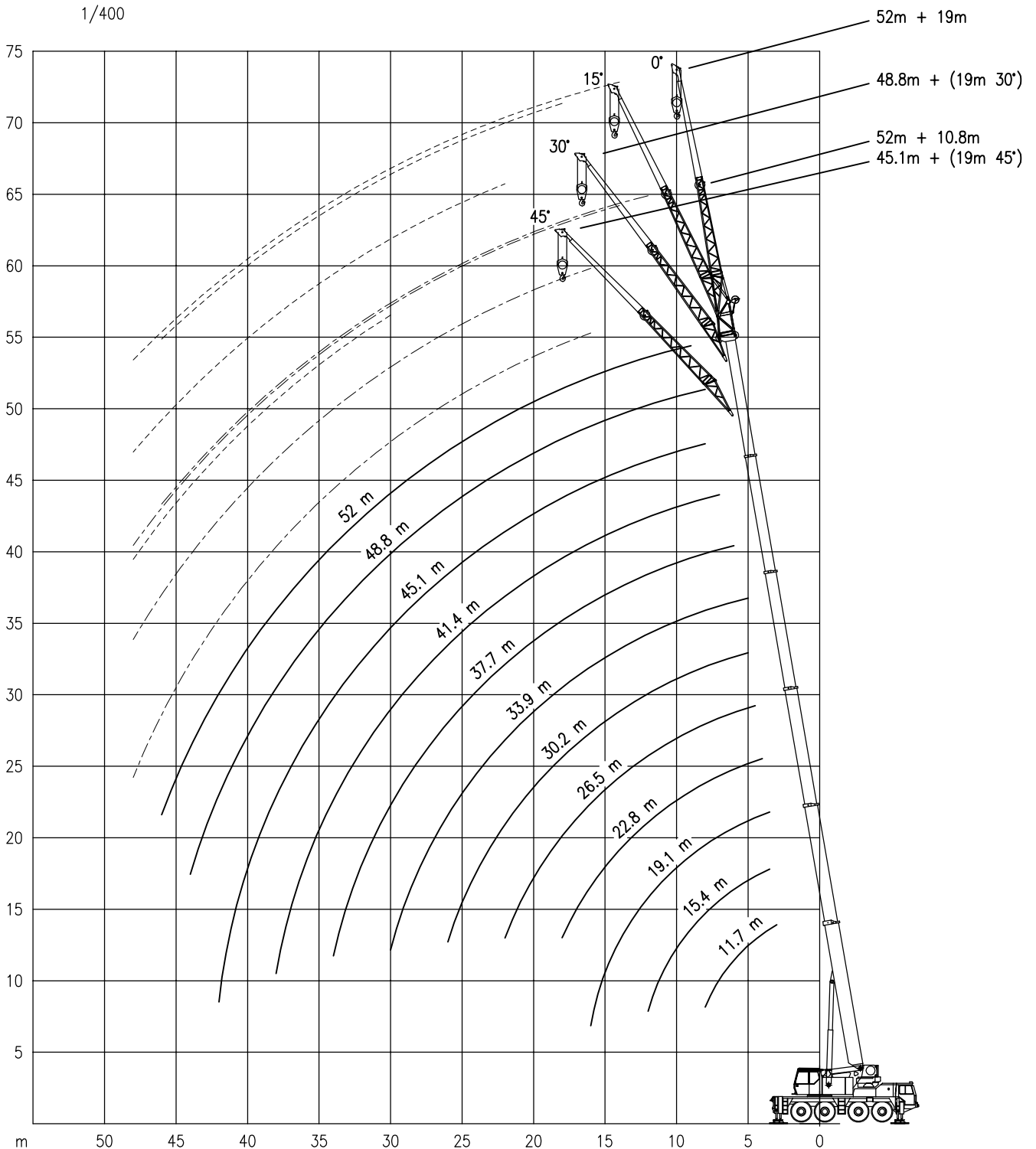
90 TON

Working ranges of folding jib
Portées de la fléchette pliante

Arbeitsbereiche mit Klappspitze
Werkbereich van de klapjib

T + TK

1/400





LIEBHERR LTM 1090/2

90 TON

Lifting capacities at main boom
Capacités à la flèche principale

Tragfähigkeiten am Hauptausleger
Capaciteiten aan de hoofdgiëk



8.5 x 7.2m



20 t

T

360° DIN/ISO 75 %

Main Boom – Flèche principale – Hauptausleger – Hoofdgiëk												
Radius Portée Ausladung Radius	11.7m*	15.4m	19.1m	22.8m	26.5m	30.2m	33.9m	37.7m	41.4m	45.1m	48.8m	52m
m	t	t	t	t	t	t	t	t	t	t	t	t
3	90	–	–	–	–	–	–	–	–	–	–	–
3.5	82	69	60	–	–	–	–	–	–	–	–	–
4	74	66	56	48.5	–	–	–	–	–	–	–	–
4.5	66	63	53	46	41	–	–	–	–	–	–	–
5	59	59	50	43.5	39	33.5	29	–	–	–	–	–
6	49.5	49	44.5	39	35	31	27.1	23.4	–	–	–	–
7	42	41.5	40.5	35	31.5	28.3	25.1	22.1	19.1	–	–	–
8	36	35	34.5	32	28.5	26	23.2	20.6	18.1	15.3	12.5	–
9	–	29.7	29.1	28.1	26	24	21.6	19.1	17	14.7	12	10.2
10	–	25.6	25.1	24.3	23.4	22.2	20.1	17.8	16	14.1	11.5	9.8
12	–	19.6	19.2	18.5	18.2	17.9	17.4	15.5	14.1	12.8	10.6	9
14	–	–	14.8	14.4	14.5	14.4	14.5	13.6	12.5	11.4	9.8	8.3
16	–	–	13	11.3	11.5	11.8	11.9	11.8	11.2	10.2	9.1	7.7
18	–	–	–	9.1	9.6	9.6	10.4	9.8	10	9.1	8.5	7.1
20	–	–	–	–	8.7	7.8	9.4	8.3	8.6	8.2	7.7	6.6
22	–	–	–	–	7.9	6.7	8	7.5	7.2	7.2	7	6.1
24	–	–	–	–	–	6.1	6.9	6.8	6.4	6.4	6.4	5.6
26	–	–	–	–	–	5.7	5.9	6	5.9	5.8	5.6	5.1
28	–	–	–	–	–	–	5.1	5.2	5.4	5.1	4.7	4.6
30	–	–	–	–	–	–	4.4	4.7	4.7	4.4	4	4
32	–	–	–	–	–	–	–	4.4	4.1	3.8	3.5	3.5
34	–	–	–	–	–	–	–	4	3.7	3.4	3.1	3
36	–	–	–	–	–	–	–	–	3.3	3	2.7	2.6
38	–	–	–	–	–	–	–	–	3	2.7	2.3	2.3
40	–	–	–	–	–	–	–	–	–	2.4	2	1.9
42	–	–	–	–	–	–	–	–	–	2.1	1.7	1.7
44	–	–	–	–	–	–	–	–	–	–	1.4	1.4
46	–	–	–	–	–	–	–	–	–	–	–	1.2



8.5 x 7.2m



3 t

T

360° DIN/ISO 75 %

Main Boom – Flèche principale – Hauptausleger – Hoofdgiëk												
Radius Portée Ausladung Radius	11.7m*	15.4m	19.1m	22.8m	26.5m	30.2m	33.9m	37.7m	41.4m	45.1m	48.8m	52m
m	t	t	t	t	t	t	t	t	t	t	t	t
3	80	–	–	–	–	–	–	–	–	–	–	–
3.5	73	69	60	–	–	–	–	–	–	–	–	–
4	65	65	56	48.5	–	–	–	–	–	–	–	–
4.5	58	55	48	42.5	39	–	–	–	–	–	–	–
5	52	46.5	41	36.5	34	32	29	–	–	–	–	–
6	39.5	35	31.5	28.3	26.6	25.4	24.6	23.4	–	–	–	–
7	30.5	27.8	25	22.6	21.4	20.7	21.2	19.4	19.1	–	–	–
8	23.5	23.4	20.6	18.5	18.6	17.2	18.7	16.6	16.3	13.7	10.6	–
9	–	20.1	19.1	15.4	17.1	14.9	16.1	15.5	14	13.7	10.6	8.8
10	–	16.7	17.3	13.9	15.7	13.7	14	13.7	12.2	12	10.6	8.8
12	–	12.2	12.7	12.1	12.2	11.9	10.8	10.9	10.7	10	9.3	8.8
14	–	–	9.8	10.4	9.6	9.5	9.4	9.2	8.6	8	7.3	7.1
16	–	–	7.7	8.2	7.6	8.1	7.9	7.4	6.9	6.4	5.8	5.6
18	–	–	–	6.7	6.4	6.7	6.3	6	5.5	5	4.6	4.5
20	–	–	–	–	5.5	5.4	5.1	4.8	4.3	3.9	3.6	3.5
22	–	–	–	–	4.5	4.4	4.1	3.9	3.5	3.1	2.8	2.7
24	–	–	–	–	–	3.8	3.4	3.2	2.8	2.4	2.1	2.1
26	–	–	–	–	–	3.2	2.9	2.6	2.3	1.9	1.6	1.5
28	–	–	–	–	–	–	2.4	2.2	1.8	1.5	–	–
30	–	–	–	–	–	–	2	1.8	1.4	–	–	–
32	–	–	–	–	–	–	–	1.5	1.1	–	–	–
34	–	–	–	–	–	–	–	1.2	–	–	–	–

* : Over rear / En arrière / Nach hinten / Over achterzijde



LIEBHERR LTM 1090/2

90 TON

Lifting capacities at main boom
Capacités à la flèche principale

Tragfähigkeiten am Hauptausleger
Capaciteiten aan de hoofdgiek



8.5 x 5m



20 t

T

360° DIN/ISO 75 %

Radius
Portée
Ausladung
Radius

Main Boom – Flèche principale – Hauptausleger – Hoofdgiek

	11.7m	15.4m	19.1m	22.8m	26.5m	30.2m	33.9m	37.7m	41.4 m	45.1m	48.8m	52m
m	t	t	t	t	t	t	t	t	t	t	t	t
3	72	–	–	–	–	–	–	–	–	–	–	–
3.5	65	64	60	–	–	–	–	–	–	–	–	–
4	59	58	56	48.5	–	–	–	–	–	–	–	–
4.5	54	53	53	46	41	–	–	–	–	–	–	–
5	49.5	49	46	41.5	39	33.5	29	–	–	–	–	–
6	41	40	36	33	31	29.7	27.1	23.4	–	–	–	–
7	33.5	32	29.4	26.9	25.6	24.7	24.1	22.1	19.1	–	–	–
8	27.4	26.8	24.5	22.4	21.4	20.9	20.5	19.8	18.1	15.3	12.5	–
9	–	22.2	20.8	19	18.3	17.9	18.2	17.2	17	14.7	12	10.2
10	–	19.9	17.9	16.3	15.8	15.5	16.9	15	15.1	14.1	11.5	9.8
12	–	14.9	15.4	12.3	13.7	11.9	13.5	12.9	11.9	11.8	10.6	9
14	–	–	12.1	10.8	12	10.4	10.9	10.8	9.9	10.1	9.7	8.3
16	–	–	9.8	9.7	9.7	9.2	9	9	9	8.6	8	7.7
18	–	–	–	8.6	8	8.2	7.5	7.9	7.7	7.2	6.7	6.5
20	–	–	–	–	6.7	6.9	6.7	6.9	6.4	6	5.6	5.5
22	–	–	–	–	5.6	6	6	5.8	5.3	4.9	4.6	4.5
24	–	–	–	–	–	5.4	5.1	4.9	4.4	4.1	3.8	3.7
26	–	–	–	–	–	4.7	4.4	4.1	3.8	3.4	3.1	3.1
28	–	–	–	–	–	–	3.8	3.6	3.2	2.9	2.6	2.5
30	–	–	–	–	–	–	3.4	3.1	2.8	2.4	2.1	2.1
32	–	–	–	–	–	–	–	2.8	2.4	2	1.7	1.7
34	–	–	–	–	–	–	–	2.4	2	1.7	1.4	1.3
36	–	–	–	–	–	–	–	–	1.8	1.4	1.1	1
38	–	–	–	–	–	–	–	–	1.5	1.2	–	–



8.5 x 5m



3 t

T

360° DIN/ISO 75 %

Radius
Portée
Ausladung
Radius

Main Boom – Flèche principale – Hauptausleger – Hoofdgiek

	11.7m	15.4m	19.1m	22.8m	26.5m	30.2m	33.9m	37.7m	41.4 m	45.1m	48.8m	52m
m	t	t	t	t	t	t	t	t	t	t	t	t
3	68	–	–	–	–	–	–	–	–	–	–	–
3.5	55	46.5	39.5	–	–	–	–	–	–	–	–	–
4	44	38	32.5	28.4	–	–	–	–	–	–	–	–
4.5	36	31.5	28.4	24	26.1	–	–	–	–	–	–	–
5	30.5	28.9	27	20.6	23.2	21.3	19.6	–	–	–	–	–
6	22.8	22.1	21.2	18.7	18.4	17.7	15.8	15.2	–	–	–	–
7	17.8	17.6	17	16.9	15	14.6	14.3	13.4	12.5	–	–	–
8	13.8	14.4	14.1	14.1	12.7	12.2	12.1	11.4	10.6	9.8	8.9	–
9	–	12	11.8	11.9	11.4	11.1	10.4	9.8	9.1	8.3	7.6	7.3
10	–	10	10.1	10.3	9.8	9.6	9	8.5	7.8	7.2	6.5	6.3
12	–	7	7.5	7.8	7.5	7.3	6.9	6.5	5.9	5.4	4.8	4.6
14	–	–	5.6	6	5.8	5.7	5.3	5	4.5	4	3.5	3.4
16	–	–	4.2	4.5	4.4	4.4	4	3.8	3.3	2.9	2.5	2.4
18	–	–	–	3.6	3.4	3.4	3.1	2.9	2.5	2	–	–
20	–	–	–	–	2.7	2.7	2.4	2.2	1.8	–	–	–
22	–	–	–	–	2.2	2.1	1.9	1.6	–	–	–	–
24	–	–	–	–	–	1.7	–	–	–	–	–	–
26	–	–	–	–	–	1.3	–	–	–	–	–	–

* : Over rear / En arrière / Nach hinten / Over achterzijde



LIEBHERR LTM 1090/2

90 TON

Lifting capacities at folding jib
Capacités à la fléchette pliante

Tragfähigkeiten an der Klappspitze
Capaciteiten aan de klappjib



8.5 x 7.2m



20 t

TK

360° DIN/ISO 75 %

Main Boom Flèche princ. Hauptausleger Hoofdgiel	Radius Portée Ausladung Radius	Folding jib – Fléchette pliante – Klappspitze – Klappjib							
		10.8 m				19 m			
		0°	15°	30°	45°	0°	15°	30°	45°
37.7 m	t	t	t	t	t	t	t	t	t
	8	10.2	–	–	–	–	–	–	–
	9	10	–	–	–	4.2	–	–	–
	10	9.8	–	–	–	4.2	–	–	–
	12	9.5	7.1	–	–	4.1	–	–	–
	14	9.1	6.4	4.4	–	4	–	–	–
	16	8.8	5.9	4.1	3.2	3.9	3.3	–	–
	18	8.5	5.4	3.9	3.1	3.8	3.2	–	–
	20	7.6	5	3.7	3	3.7	3.1	2.7	–
	22	6.8	4.6	3.5	2.9	3.6	3.1	2.6	2
	24	5.9	4.3	3.3	2.8	3.5	3	2.5	1.9
	26	4.8	4	3.1	2.7	3.4	2.9	2.3	1.8
	28	4	3.8	3	2.6	3.3	2.9	2.2	1.7
	30	3.5	3.5	2.9	2.6	3.2	2.8	2.1	1.7
	32	3	3.2	2.8	2.5	3.1	2.7	2	1.6
	34	2.7	2.8	2.7	2.4	2.9	2.5	2	1.5
	36	2.6	2.4	2.5	2.3	2.5	2.4	1.9	1.5
	38	2.5	2.2	2.1	2.2	2.2	2.3	1.8	1.4
	40	2.3	2.1	1.9	1.8	1.9	2.2	1.7	1.3
	42	2.2	2	1.9	1.7	1.7	1.9	1.7	1.3
44	2.1	1.9	1.8	–	1.6	1.6	1.6	1.2	
46	–	–	–	–	1.5	1.3	1.4	1.1	
48	–	–	–	–	1.4	1.2	1.1	1	
50	–	–	–	–	1.4	1.2	1	–	
52	–	–	–	–	1.3	1.1	0.9	–	
41.4 m	9	8.3	–	–	–	–	–	–	–
	10	8.2	–	–	–	3.9	–	–	–
	12	8.1	6.1	–	–	3.9	–	–	–
	14	7.9	5.6	3.7	–	3.8	–	–	–
	16	7.8	5.1	3.5	2.7	3.7	3.2	–	–
	18	7.6	4.7	3.3	2.6	3.7	3.1	–	–
	20	6.9	4.3	3.1	2.5	3.6	3	2.4	–
	22	6.2	4	3	2.4	3.5	3	2.3	–
	24	5.6	3.8	2.8	2.4	3.4	2.9	2.2	1.6
	26	5	3.5	2.7	2.3	3.3	2.8	2	1.5
	28	4.2	3.3	2.6	2.3	3.2	2.7	2	1.5
	30	3.6	3.1	2.5	2.2	3.1	2.6	1.9	1.4
	32	3.1	2.9	2.4	2.2	3	2.4	1.8	1.3
	34	2.8	2.8	2.4	2.1	3	2.3	1.7	1.2
	36	2.7	2.5	2.3	2.1	2.6	2.2	1.6	1.1
	38	2.6	2.2	2.2	2.1	2.3	2.1	1.5	1.1
	40	2.5	2.1	1.9	2	2	2	1.5	1
	42	2.2	2.1	1.9	1.7	1.7	1.9	1.4	1
	44	1.9	2	1.8	1.7	1.6	1.7	1.3	1
	46	1.6	1.7	1.7	1.6	1.6	1.4	1.2	0.9
48	1.4	1.5	1.5	–	1.5	1.2	1.1	0.9	
50	–	–	–	–	1.4	1.2	1.1	0.9	
54	–	–	–	–	1	1.1	1	–	
56	–	–	–	–	0.9	0.9	–	–	
45.1 m	10	7.1	–	–	–	–	–	–	–
	12	7	–	–	–	3.4	–	–	–
	14	6.8	4.7	–	–	3.3	–	–	–
	16	6.7	4.4	3	2.2	3.3	–	–	–
	18	6.2	4.1	2.8	2.2	3.2	2.8	–	–
	20	5.7	3.8	2.7	2.1	3.2	2.7	–	–
	22	5.3	3.5	2.5	2	3.1	2.6	1.8	–
	24	4.9	3.3	2.4	2	3	2.5	1.7	–
	26	4.6	3.1	2.3	1.9	3	2.4	1.6	–
	28	4.2	2.9	2.2	1.8	2.9	2.3	1.6	–
	30	3.6	2.7	2.1	1.8	2.9	2.2	1.5	1.1
	32	3.2	2.6	2.1	1.8	2.8	2.1	1.4	1.1
	34	2.9	2.4	2	1.7	2.7	1.9	1.4	1.1
	36	2.8	2.3	1.9	1.7	2.5	1.8	1.3	1
	38	2.5	2.2	1.8	1.7	2.3	1.7	1.3	1
	40	2.2	2	1.8	1.6	2	1.6	1.2	0.9
	42	1.9	1.9	1.7	1.6	1.8	1.5	1.2	0.9
	44	1.6	1.8	1.6	1.5	1.7	1.4	1.1	0.9
	46	1.4	1.5	1.5	1.4	1.6	1.4	1.1	0.8
	48	1.1	1.2	1.3	1.2	1.4	1.2	1	0.8
50	0.9	1	1	–	1.2	1.2	1	–	
54	–	–	–	–	0.8	0.9	0.8	–	



LIEBHERR LTM 1090/2

90 TON

Lifting capacities at folding jib
Capacités à la fléchette pliante

Tragfähigkeiten an der Klappspitze
Capaciteiten aan de klappjib

8.5 x 7.2m 20 t **TK** 360° DIN/ISO 75 %

Main Boom Flèche princ. Hauptausleger Hoofdgiek	Radius Portée Ausladung Radius	Folding jib – Fléchette pliante – Klappspitze – Klappjib							
		10.8 m				19 m			
		0°	15°	30°	45°	0°	15°	30°	45°
48.8 m	t	t	t	t	t	t	t	t	t
	12	5.6	–	–	–	3	–	–	–
	14	5.4	3.6	–	–	3	–	–	–
	16	5.1	3.4	2.6	–	2.9	–	–	–
	18	4.9	3.2	2.4	1.8	2.8	2.3	–	–
	20	4.5	3.1	2.3	1.8	2.8	2.2	–	–
	22	4.2	3	2.2	1.7	2.7	2.1	1.5	–
	24	3.9	2.8	2.1	1.6	2.7	2	1.5	–
	26	3.6	2.7	2	1.6	2.6	1.9	1.4	–
	28	3.4	2.6	1.9	1.5	2.5	1.8	1.3	–
	30	3.2	2.4	1.8	1.5	2.4	1.7	1.3	–
	32	3.1	2.3	1.8	1.4	2.3	1.7	1.2	–
	34	2.8	2.2	1.7	1.4	2.2	1.6	1.1	–
	36	2.5	2.1	1.6	1.4	2.1	1.6	1.1	–
	38	2.1	2	1.6	1.3	2	1.5	1	–
	40	1.8	1.9	1.5	1.3	1.9	1.4	1	–
	42	1.5	1.7	1.4	1.3	1.7	1.3	1	–
	44	1.3	1.4	1.4	1.3	1.5	1.3	0.9	–
	46	1	1.1	1.2	1.2	1.2	1.2	0.9	–
	48	0.8	0.9	0.9	1	1	1.1	0.8	–
50	–	–	–	–	0.8	1	–	–	
52	–	–	–	–	–	0.8	–	–	
52 m	12	4.9	–	–	–	–	–	–	–
	14	4.6	3	–	–	2.6	–	–	–
	16	4.3	2.8	2	–	2.5	–	–	–
	18	4	2.7	1.9	–	2.5	1.8	–	–
	20	3.7	2.6	1.8	–	2.4	1.7	–	–
	22	3.5	2.4	1.7	–	2.4	1.6	–	–
	24	3.3	2.3	1.6	–	2.3	1.6	–	–
	26	3.1	2.2	1.5	–	2.2	1.5	–	–
	28	2.9	2.1	1.4	–	2.1	1.4	–	–
	30	2.7	2	1.3	–	2	1.4	–	–
	32	2.6	1.8	1.3	–	1.9	1.3	–	–
	34	2.4	1.7	1.2	–	1.8	1.3	–	–
	36	2.3	1.6	1.1	–	1.7	1.2	–	–
	38	2	1.5	1.1	–	1.6	1.1	–	–
	40	1.7	1.4	1	–	1.5	1.1	–	–
	42	1.4	1.3	1	–	1.4	1	–	–
	44	1.2	1.2	0.9	–	1.4	0.9	–	–
	46	0.9	1.1	0.9	–	1.1	0.8	–	–
	48	–	0.8	0.8	–	0.9	–	–	–

8.5 x 7.2m 12.2 t **TK** 360° DIN/ISO 75 %

Main Boom Flèche princ. Hauptausleger Hoofdgiek	Radius Portée Ausladung Radius	Folding jib – Fléchette pliante – Klappspitze – Klappjib							
		10.8 m				19 m			
		0°	15°	30°	45°	0°	15°	30°	45°
37.7 m	t	t	t	t	t	t	t	t	t
	8	10.2	–	–	–	–	–	–	–
	9	10	–	–	–	4.2	–	–	–
	10	9.8	–	–	–	4.2	–	–	–
	12	9.5	7.1	–	–	4.1	–	–	–
	14	9.1	6.4	4.4	–	4	–	–	–
	16	8.7	5.9	4.1	3.2	3.9	3.3	–	–
	18	7.2	5.4	3.9	3.1	3.8	3.2	–	–
	20	6	5	3.7	3	3.7	3.1	2.7	–
	22	5	4.6	3.5	2.9	3.6	3.1	2.6	2
	24	4.2	4.3	3.3	2.8	3.5	3	2.5	1.9
	26	3.5	3.8	3.1	2.7	3.4	2.9	2.3	1.8
	28	3.3	3.1	3	2.6	3.2	2.9	2.2	1.7
	30	3.1	2.6	2.8	2.6	2.7	2.8	2.1	1.7
	32	2.9	2.4	2.3	2.4	2.3	2.7	2	1.6
	34	2.7	2.3	2.1	1.9	2.1	2.3	2	1.5
	36	2.5	2.2	2	1.9	2	1.9	1.9	1.5
	38	2.1	2.2	2	1.8	1.9	1.5	1.8	1.4
	40	1.8	1.9	1.9	1.8	1.8	1.4	1.5	1.3
	42	1.5	1.6	1.7	1.6	1.7	1.4	1.1	1.3
44	1.3	1.4	1.4	–	1.5	1.3	1.1	0.9	
46	–	–	–	–	1.3	1.3	1.1	0.8	
48	–	–	–	–	1.1	1.2	1	0.8	
50	–	–	–	–	0.9	1	1	–	
52	–	–	–	–	–	0.8	0.8	–	



sarens.tele

LIEBHERR LTM 1090/2

90 TON

Lifting capacities at folding jib
Capacités à la fléchette pliante

Tragfähigkeiten an der Klappspitze
Capaciteiten aan de klappjib

8.5 x 7.2m 12.2 t **TK** 360° DIN/ISO 75 %

Main Boom Flèche princ. Hauptausleger Hoofdgiek	Radius Portée Ausladung Radius	Folding jib – Fléchette pliante – Klappspitze – Klappjib							
		10.8 m				19 m			
		0°	15°	30°	45°	0°	15°	30°	45°
41.4 m	t	t	t	t	t	t	t	t	t
	9	8.3	–	–	–	–	–	–	–
	10	8.2	–	–	–	3.9	–	–	–
	12	8.1	6.1	–	–	3.9	–	–	–
	14	7.9	5.6	3.7	–	3.8	–	–	–
	16	7.8	5.1	3.5	2.7	3.7	3.2	–	–
	18	7.2	4.7	3.3	2.6	3.7	3.1	–	–
	20	6	4.3	3.1	2.5	3.6	3	2.4	–
	22	5.1	4	3	2.4	3.5	3	2.3	–
	24	4.3	3.8	2.8	2.4	3.4	2.9	2.2	1.6
	26	3.6	3.5	2.7	2.3	3.3	2.8	2	1.5
	28	3.3	3.3	2.6	2.3	3.2	2.7	2	1.5
	30	3.2	2.7	2.5	2.2	2.8	2.6	1.9	1.4
	32	2.9	2.5	2.4	2.2	2.3	2.4	1.8	1.3
	34	2.4	2.4	2.1	2.1	2.1	2.3	1.7	1.2
	36	2.1	2.3	2	1.8	2	1.9	1.6	1.1
	38	1.8	1.9	2	1.8	1.9	1.6	1.5	1.1
	40	1.5	1.6	1.7	1.7	1.7	1.4	1.5	1
	42	1.2	1.3	1.4	1.4	1.5	1.4	1.2	1
	44	1	1.1	1.1	1.1	1.2	1.3	1.1	1
46	–	0.8	0.8	0.8	1	1.2	1.1	0.9	
48	–	–	–	–	0.8	1	1.1	0.9	
50	–	–	–	–	–	–	0.9	0.9	
45.1 m	10	7.1	–	–	–	–	–	–	–
	12	7	–	–	–	3.4	–	–	–
	14	6.8	4.7	–	–	3.3	–	–	–
	16	6.7	4.4	3	2.2	3.3	–	–	–
	18	6.2	4.1	2.8	2.2	3.2	2.8	–	–
	20	5.7	3.8	2.7	2.1	3.2	2.7	–	–
	22	5	3.5	2.5	2	3.1	2.6	1.8	–
	24	4.2	3.3	2.4	2	3	2.5	1.7	–
	26	3.6	3.1	2.3	1.9	3	2.4	1.6	–
	28	3.4	2.9	2.2	1.8	2.9	2.3	1.6	–
	30	3	2.7	2.1	1.8	2.7	2.2	1.5	1.1
	32	2.5	2.5	2.1	1.8	2.3	2.1	1.4	1.1
	34	2.1	2.3	2	1.7	2.2	1.9	1.4	1.1
	36	1.8	2	1.8	1.7	2	1.8	1.3	1
	38	1.5	1.6	1.7	1.5	1.7	1.6	1.3	1
	40	1.2	1.4	1.5	1.5	1.4	1.4	1.2	0.9
42	1	1.1	1.2	1.2	1.2	1.4	1.2	0.9	
44	–	0.8	0.9	0.9	0.9	1.2	1	0.9	
46	–	–	–	–	–	0.9	1	0.8	
48	–	–	–	–	–	–	0.9	–	
48.8 m	12	5.6	–	–	–	3	–	–	–
	14	5.4	3.6	–	–	3	–	–	–
	16	5.1	3.4	2.6	–	2.9	–	–	–
	18	4.9	3.2	2.4	1.8	2.8	2.3	–	–
	20	4.5	3.1	2.3	1.8	2.8	2.2	–	–
	22	4.2	3	2.2	1.7	2.7	2.1	1.5	–
	24	3.9	2.8	2.1	1.6	2.7	2	1.5	–
	26	3.6	2.7	2	1.6	2.6	1.9	1.4	–
	28	3	2.6	1.9	1.5	2.5	1.8	1.3	–
	30	2.5	2.4	1.8	1.5	2.4	1.7	1.3	–
	32	2.1	2.3	1.8	1.4	2.3	1.7	1.2	–
	34	1.7	1.9	1.7	1.4	1.9	1.6	1.1	–
	36	1.3	1.6	1.6	1.4	1.6	1.6	1.1	–
	38	1	1.2	1.4	1.3	1.3	1.5	1	–
	40	–	–	1.1	1.1	1	1.3	1	–
	42	–	–	–	–	–	1	1	–
44	–	–	–	–	–	–	0.9	–	
52 m	12	4.9	–	–	–	–	–	–	–
	14	4.6	3	–	–	2.6	–	–	–
	16	4.3	2.8	2	–	2.5	–	–	–
	18	4	2.7	1.9	–	2.5	1.8	–	–
	20	3.7	2.6	1.8	–	2.4	1.7	–	–
	22	3.5	2.4	1.7	–	2.4	1.6	–	–
	24	3.3	2.3	1.6	–	2.3	1.6	–	–
	26	3.1	2.2	1.5	–	2.2	1.5	–	–
	28	2.9	2.1	1.4	–	2.1	1.4	–	–
	30	2.4	2	1.3	–	2	1.4	–	–
	32	2	1.8	1.3	–	1.9	1.3	–	–
	34	1.6	1.7	1.2	–	1.8	1.3	–	–
	36	1.2	1.4	1.1	–	1.4	1.2	–	–
	38	–	1.1	1.1	–	1.1	1.1	–	–
	40	–	–	1	–	–	1.1	–	–
	42	–	–	–	–	–	0.9	–	–



LIEBHERR LTM 1090/2

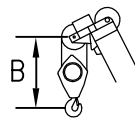
90 TON

Working speeds
Vitesses de travail

Arbeitsgeschwindigkeiten
Werksnelheden

Mechanisms Mécanismes Antriebe Aandrijvingen	Speeds Vitesses Geschwindigkeiten Snelheden	Rope diameter Diamètre du câble Seildurchmesser Kabeldiameter	Single line pull Effort sur brin simple Zulässiger Seilzug je Strang Toegelaten trekkracht per part	Length of ropes Longueur des câbles Länge der Seile Kabellengte
Main hoist Levage sur flèche Hubwerk 1 Hijslier 1	0-120 m/min	21 mm	78.8 kN	200 m
Auxiliary hoist Levage sur fléchette Hubwerk 2 Hijslier 2	0-120 m/min	21 mm	78.8 kN	200 m
Slewing gear Orientation Drehwerk Zwenkwerk	0 - 2 RPM 0 - 2 t/min 0 - 2 U/min 0 - 2 tpm			
Travel speed Vitesse sur route Fahrgeschwindigkeit Rijsnelheid	0 - 67.2/73.3 km/h			
Booming up Relever la flèche Aufwippen Optoppen	83.5° 50 s			
Telescope Téléscoper Teleskopieren Telescoperen	11.7 m - 52 m 300 s			

Hook block/Crane hook
Crochet mouflé/Crochet simple



Unterflasche/Hakengehänge
Kraanblok/Kraanhaak

Capacity Capacité Tragfähigkeit Capaciteit	Number of sheaves Nombre de poulies Anzahl der Rollen Aantal schijven	Number of lines Nombre de brins Strangzahl Aantal parten	Weight Poids Gewicht Gewicht	"B"
SWL 90 t	7	14	1000 kg	3.5 m
SWL 22 t	1	3	330 kg	3 m