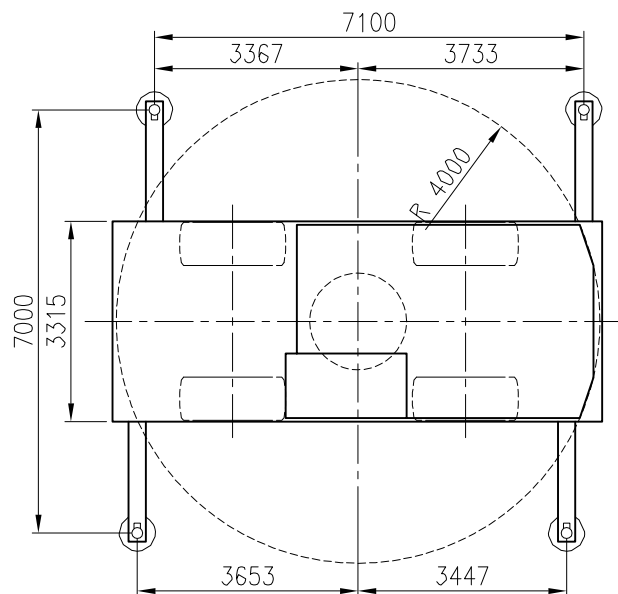
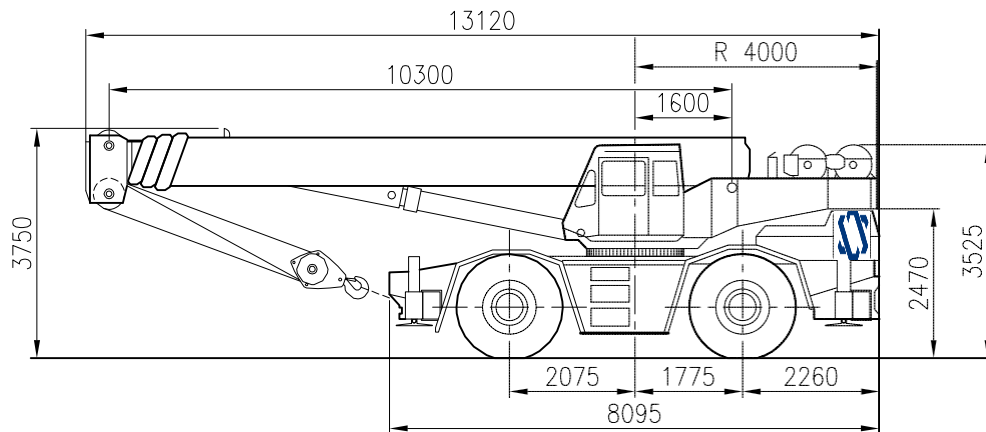


Tadano TR-450 XL

45 TON



Axle-load / : 19,7t +19,0t

Total weight / : 38,7 t

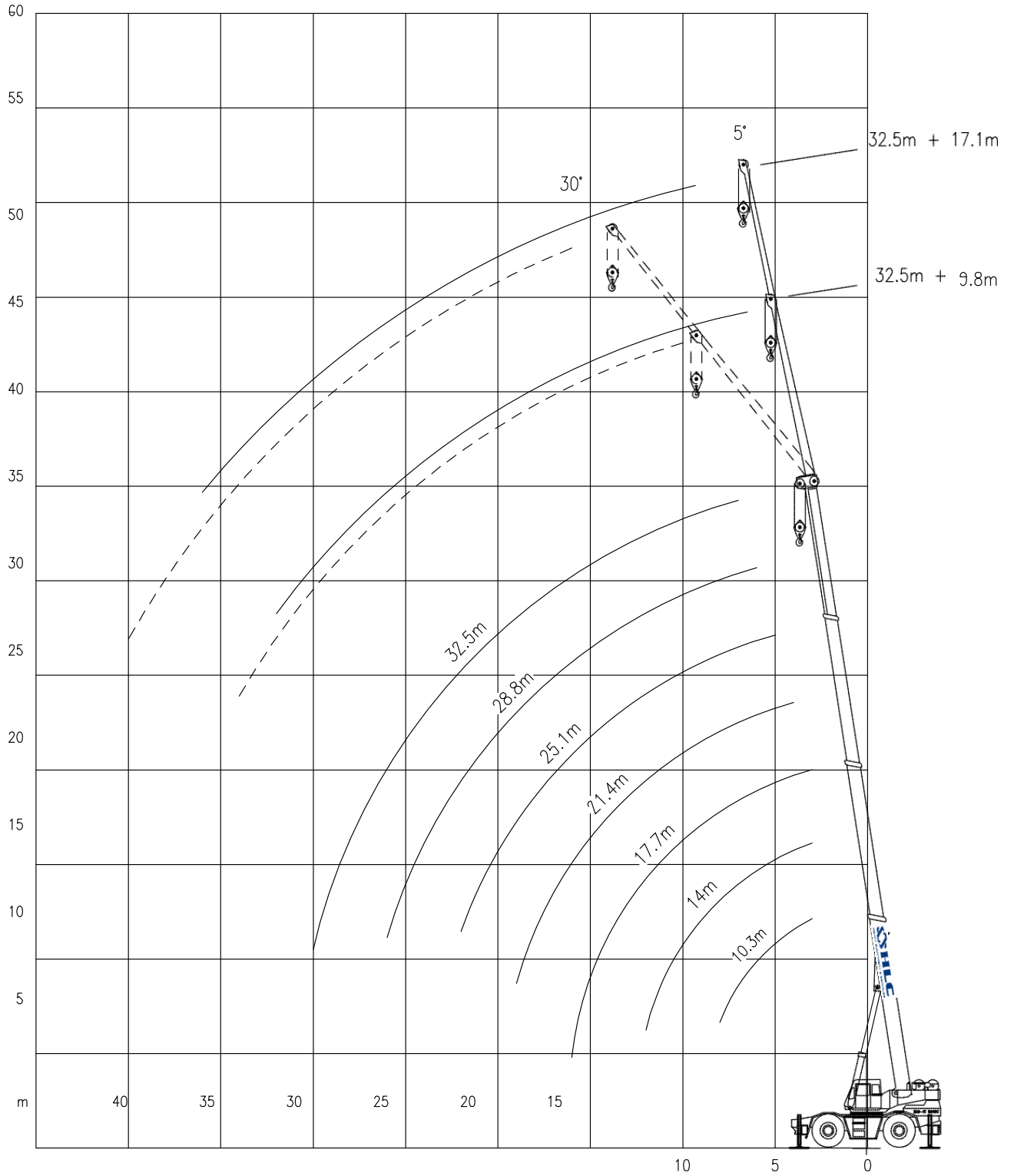


Tadano TR-450 XL

Working ranges

45 TON

T + TK

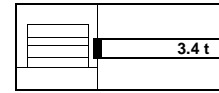
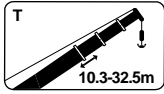





Tadano TR-450 XL

45 TON

Lifting capacities

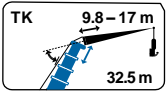


T

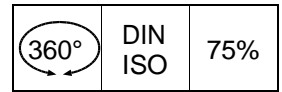
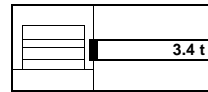
	10.3 m	14.0 m	17.7 m	21.3 m	25.0 m	28.7 m	32.5 m
m	t	t	t	t	t	t	t
3.1	45.00	34.93	30.53	-	-	-	-
3.7	35.92	34.65	28.22	21.43	-	-	-
4.6	29.63	29.72	25.23	20.02	16.94	-	-
6.1	21.97	22.02	21.47	16.76	14.50	13.77	-
7.6	16.94	17.17	17.44	14.45	12.00	11.51	10.83
9.2	-	13.59	13.82	12.68	10.33	9.78	9.01
10.7	-	11.05	11.28	11.28	8.88	8.38	7.79
12.2	-	9.24	9.42	9.42	7.84	7.25	6.70
13.7	-	-	7.88	7.88	6.89	6.48	5.89
15.3	-	-	6.39	6.39	6.16	5.75	5.16
16.8	-	-	-	5.39	5.57	5.12	4.53
18.3	-	-	-	4.48	4.58	4.62	4.08
19.8	-	-	-	-	3.81	4.03	3.58
21.4	-	-	-	-	3.08	3.40	3.22
22.9	-	-	-	-	2.81	2.81	2.81
24.4	-	-	-	-	-	2.27	2.36
25.9	-	-	-	-	-	2.08	2.08
27.5	-	-	-	-	-	-	1.72
29.0	-	-	-	-	-	-	1.36
30.5	-	-	-	-	-	-	1.18

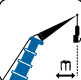
Tadano TR-450 XL

45 TON



TK



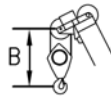
 Boom Angle in degree	32.5 m + 9.8 m		32.5 m + 17.1 m	
	5°	30°	5°	30°
degree	t	t	t	t
80°	4.98	2.49	2.76	1.04
75°	4.17	2.22	2.27	1.00
70°	3.17	1.99	1.86	0.86
65°	2.49	1.72	1.59	0.82
60°	2.04	1.49	1.27	0.77
55°	1.68	1.27	1.04	0.72
50°	1.45	1.18	0.86	0.63
45°	1.13	1.04	0.72	0.59
40°	0.72	0.68	0.54	0.54



Working speeds

Mechanisms	Speeds Vitesses	Rope diameter	Single line pull Effort sur brin simple	Length of ropes
Main hoist	0 – 140 m/min	18 mm	54 kN	175 m
Auxiliary hoist	0 – 120 m/min	18 mm	50 kN	110 m
Slewing gear Orientation	0 – 2.2 RPM			
Travel speed	0 – 35 km/h			
Booming up -3° - 80°	63 sec			
Telescope 10.3 - 32.5 m	107 sec			

Hook Block / Crane hook



Capacity	Number of sheaves	Number of lines	Weight Poids	"B"
SWL 40 t	4	8	450 kg	2.5 m
SWL 5 t	-	1	150 kg	2.5 m